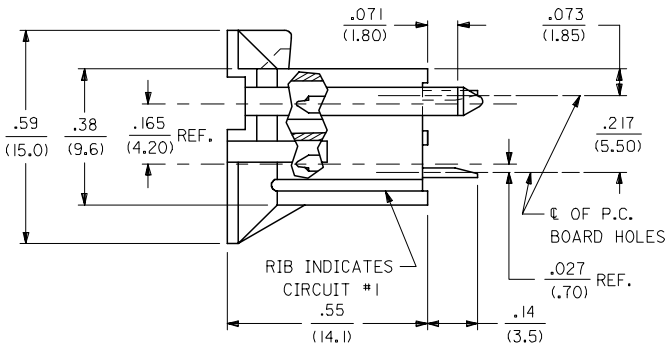
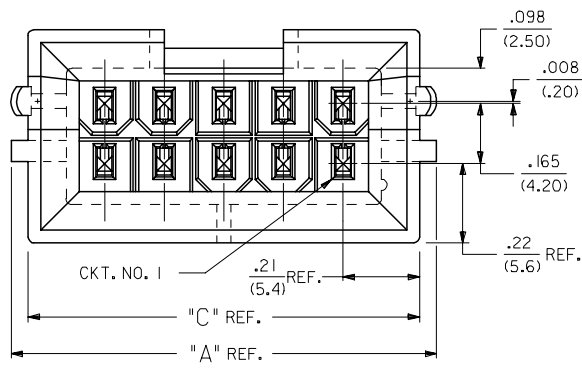
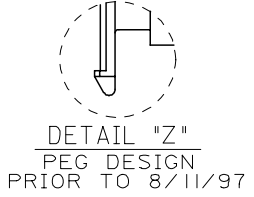
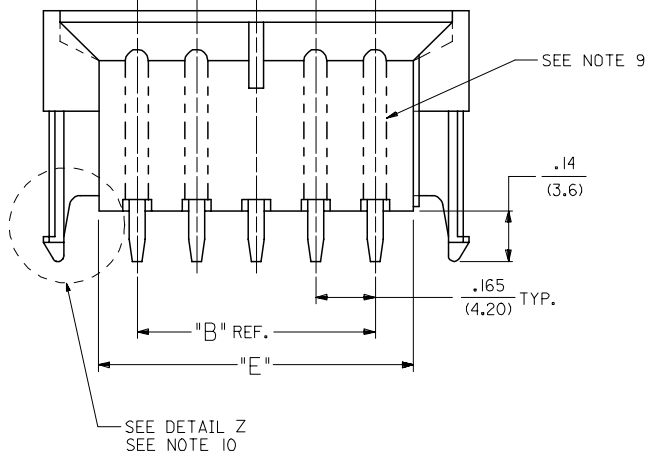
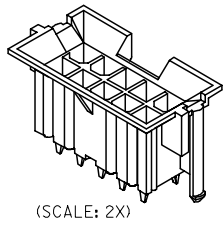


13 12 11 10 9 8 7 6 5 4 3 2 1

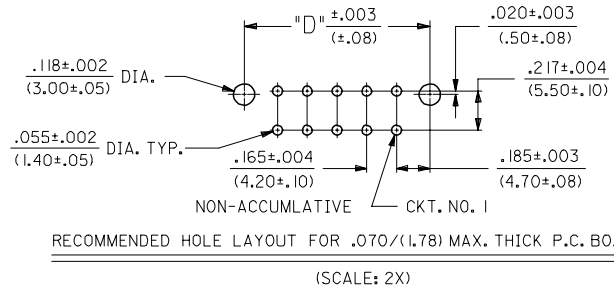
J
I
H
G
F
E
D
C
B
A



CIRCUIT SIZE	DIM. "A"	DIM. "B"	DIM. "C"	DIM. "D"	DIM. "E"
2	.520 (13.20)	—	.425 (10.80)	.370 (9.40)	.21 (5.4)
4	.685 (17.40)	.17 (4.2)	.590 (15.00)	.535 (13.60)	.38 (9.6)
6	.850 (21.60)	.33 (8.4)	.756 (19.20)	.701 (17.80)	.54 (13.8)
8	1.016 (25.80)	.50 (12.6)	.921 (23.40)	.866 (22.00)	.71 (18.0)
10	1.181 (30.00)	.66 (16.8)	1.087 (27.60)	1.031 (26.20)	.87 (22.2)
12	1.346 (34.20)	.83 (21.0)	1.252 (31.80)	1.197 (30.40)	1.04 (26.4)
14	1.512 (38.40)	.99 (25.2)	1.417 (36.00)	1.362 (34.60)	1.20 (30.6)
16	1.677 (42.60)	1.16 (29.4)	1.583 (40.20)	1.528 (38.80)	1.37 (34.8)
18	1.843 (46.80)	1.32 (33.6)	1.748 (44.40)	1.693 (43.00)	1.54 (39.0)
20	2.008 (51.00)	1.49 (37.8)	1.913 (48.60)	1.858 (47.20)	1.70 (43.2)
22	2.173 (55.20)	1.65 (42.0)	2.079 (52.80)	2.024 (51.40)	1.87 (47.4)
24	2.339 (59.40)	1.82 (46.2)	2.244 (57.00)	2.189 (55.60)	2.03 (51.6)



LEGEND:
A - 42440 - ***
BASE NUMBER
CIRCUIT SIZE (02-24)
PLATING (SEE NOTE 2.)
HOUSING MAT'L. & OPTIONS (SEE NOTE 1.)



6	P
5	P
4	P
3	P1
2	P
1	P1
	REV

Part No.	Part Description	Material	Plating
---22, ---42	42474-***2I, 5556-PBGS*P	94V-0	PHOS. BRZ. GOLD
---12, ---32	42474-***1I, 5556-PBGS*P	94V-2	PHOS. BRZ. GOLD
---22, ---42, ---23, ---43	42474-***2I, 5556-GS*P	94V-0	BRASS GOLD
---12, ---32, ---13, ---33	42474-***1I, 5556-GS*P	94V-2	BRASS GOLD
---2I, ---4I	42474-***2I, 5556-PBS*P	94V-0	PHOS. BRZ. TIN
---1I, ---3I	42474-***1I, 5556-PBS*P	94V-2	PHOS. BRZ. TIN
---2I, ---4I	42474-***2I, 5556-S*P	94V-0	BRASS TIN
---1I, ---3I	42474-***1I, 5556-S*P	94V-2	BRASS TIN
---22, ---42	A-42385-***D2, ---D4	94V-0	PHOS. BRZ. GOLD
---12, ---32	A-42385-***C2, ---C4	94V-2	PHOS. BRZ. GOLD
---22, ---42, ---23, ---43	A-42385-***B2, ---B4	94V-0	BRASS GOLD
---12, ---32, ---13, ---33	A-42385-***A2, ---A4	94V-2	BRASS GOLD
---2I, ---4I	A-42385-***DI	94V-0	PHOS. BRZ. TIN
---1I, ---3I	A-42385-***CI	94V-2	PHOS. BRZ. TIN
---2I, ---4I	A-42385-***BI	94V-0	BRASS TIN
---1I, ---3I	A-42385-***AI	94V-2	BRASS TIN

SHEET 3, NOTE #9
FC NO: UCP2007-2479
DRAWN:LSCHMIDT 2007/04/04
CHKD:IBELL 2007/04/11
APPR:FSM TH 2007/04/16
DESCRIPTION
P1

QUALITY SYMBOLS
=0
=0

GENERAL TOLERANCES (UNLESS SPECIFIED)
mm INCH
4 PLACES ± --- ± ---
3 PLACES ± --- ± .010
2 PLACES ± 0.25 ± .015
1 PLACE ± 0.38 ± ---
ANGULAR ± 5 °

DIMENSION STYLE IN/MM
SCALE 4:1
DESIGN UNITS METRIC
THIRD ANGLE PROJECTION

DRAWN BY: GEP DATE: 1989/04/06
CHECKED BY: RJF DATE: 1989/04/06
APPROVED BY: RAS DATE: 1989/04/06
MATERIAL NO.
DOCUMENT NO.

MINI-FIT B.M.I.
VERTICAL HEADER ASSY
WITH DRAIN HOLE OPTION

MOLEX INCORPORATED

SDA-42440-****

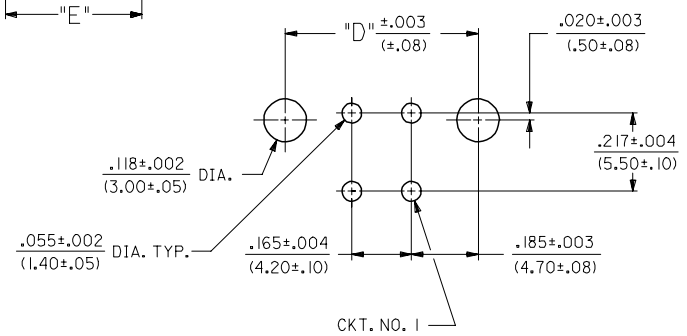
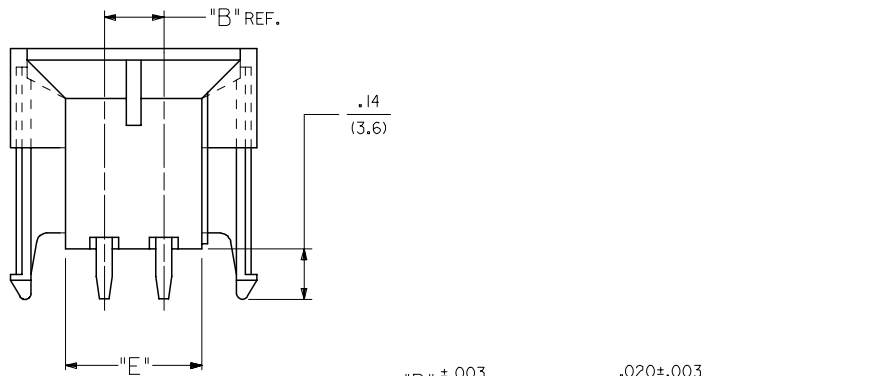
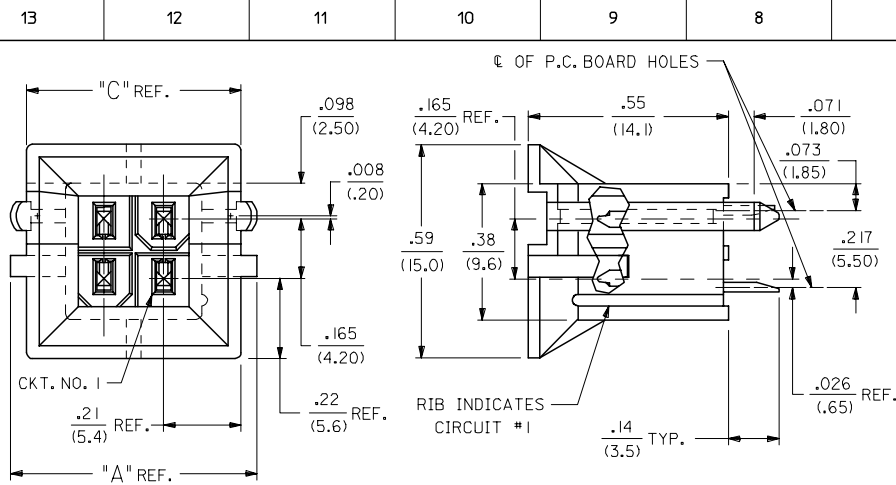
SHEET NO. 1 OF 6

DRAFT WHERE APPLICABLE MUST REMAIN WITHIN DIMENSIONS

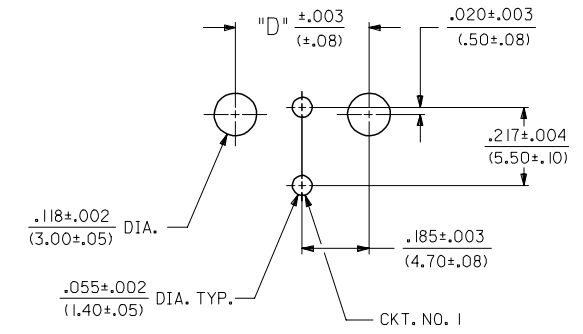
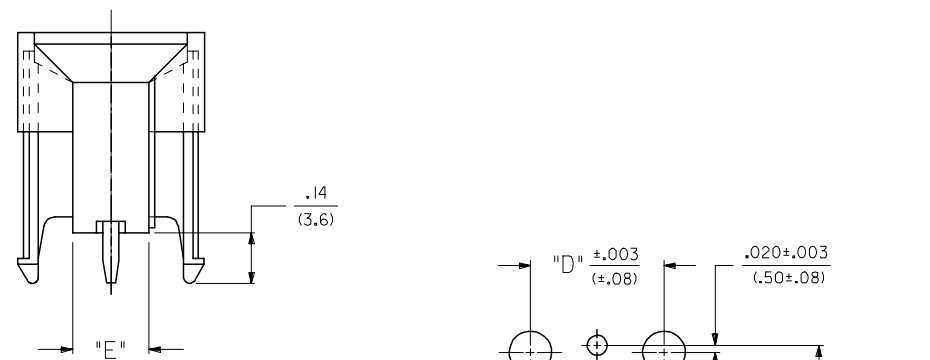
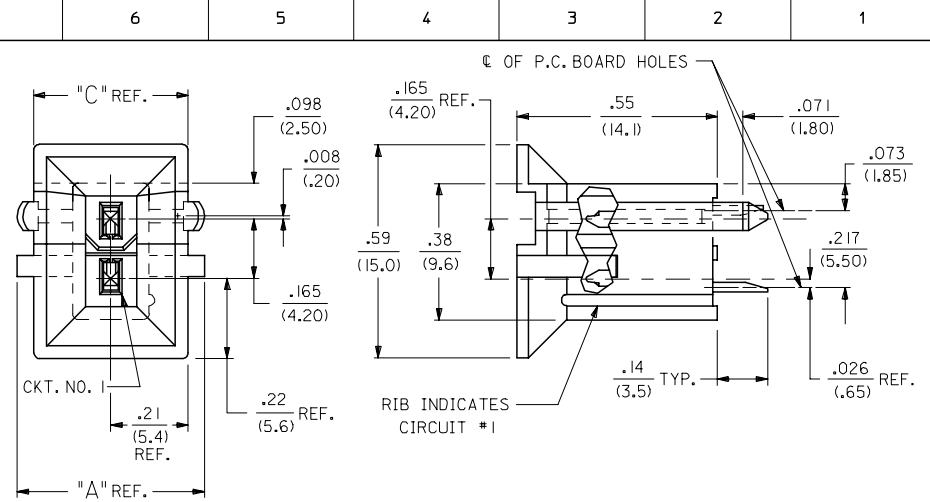
SEE CHART

THIS DRAWING CONTAINS INFORMATION THAT IS PROPRIETARY TO MOLEX INCORPORATED AND SHOULD NOT BE USED WITHOUT WRITTEN PERMISSION

12 11 10 9 8 7 6 5 4 3 2 1



RECOMMENDED HOLE LAYOUT FOR .070/(1.78) MAX. THICK P.C. BOARD



RECOMMENDED HOLE LAYOUT FOR .070/(1.78) MAX. THICK P.C. BOARD

UPDATED LETTER DIMS EC NO: UCP2007-2152 DRW: NLSCHMIDT 2007/03/12 CHKD: ADERR 2007/03/19 APPR: FSM TH 2007/03/19 REV DESCRIPTION	QUALITY SYMBOLS	GENERAL TOLERANCES (UNLESS SPECIFIED)	DIMENSION STYLE	SCALE	DESIGN UNITS	THIRD ANGLE PROJECTION
	$\nabla=0$ $\nabla=0$	mm INCH 4 PLACES ± --- ± --- 3 PLACES ± --- ± .010 2 PLACES ± 0.25 ± .015 1 PLACE ± 0.38 ± --- ANGULAR ± 5 °	IN/MM	4:1	METRIC	
	DRAWN BY DATE GEP 1989/04/06 CHECKED BY DATE RJF 1989/04/06 APPROVED BY DATE RAS 1989/04/06	MATERIAL NO. DOCUMENT NO. SHEET NO. SEE SHEET 4 SDA-42440-**** 2 OF 4				
	DRAFT WHERE APPLICABLE MUST REMAIN WITHIN DIMENSIONS		THIS DRAWING CONTAINS INFORMATION THAT IS PROPRIETARY TO MOLEX INCORPORATED AND SHOULD NOT BE USED WITHOUT WRITTEN PERMISSION			

NOTES:

- 1) MATERIAL:
 - HOUSING MATERIAL AND OPTIONS:
 - 1 = NYLON 6/6, UL 94V-2, COLOR: NATURAL, WITHOUT DRAIN HOLES
 - 2 = NYLON 6/6, UL 94V-0, COLOR: NATURAL, WITHOUT DRAIN HOLES
 - 3 = NYLON 6/6, UL 94V-2, COLOR: NATURAL, WITH DRAIN HOLES
 - 4 = NYLON 6/6, UL 94V-0, COLOR: NATURAL, WITH DRAIN HOLES
 - TERMINALS: BRASS
- 2) TERMINAL PLATING:
 - S = .000100/(0.00254) MIN. BRIGHT TIN OVER .000050/(0.00127) MIN. NICKEL
 - *GS = .000030/(0.00076) MIN. SELECT GOLD AND .000100/(0.00254) MIN. SELECT MATTE TIN OVER .000050/(0.00127) MIN. NICKEL OVERALL
 - *GS3 = .000050/(0.00127) MIN. SELECT GOLD AND .000100/(0.00254) MIN. SELECT MATTE TIN OVER .000050/(0.00127) MIN. NICKEL OVERALL
 - *THE PRIMARY SHIPPING CARTON WILL BE LABELED "COMPLIANT TO RoHS DIRECTIVE 2002/95/EC AND ELV ANNEX II OF DIRECTIVE 200/53/EC"; CARTONS WITHOUT THIS LABEL MAY CONTAIN PRODUCT WITH TIN-LEAD PLATING.
- 3) PRODUCT SPECIFICATION AND PROCESSING PARAMETERS: PS-5556-002
- 4) PACKAGING: SEE CHARTS
- 5) 6-24 CIRCUIT PARTS MATE WITH MINI-FIT JR. RECEPTACLES #5557 AND HEADERS #42385 AND #42474; 2 AND 4 CIRCUIT PARTS MATE WITH 42385 AND 42474 HEADERS ONLY.
- 6) PART ALLOWS FOR UP TO .100/(2.54) MISALIGNMENT WITH MATING RECEPTACLE IN ANY DIRECTION. SEE MATING CONNECTOR DRAWINGS FOR SPECIFIC ALLOWANCES.
- 7) CONNECTOR IS NOT DESIGNED FOR CURRENT SHARING.
- 8) CONNECTOR ASSEMBLIES ARE NOT BE MATED OR UNMATED WHILE CIRCUITS ARE LIVE.
- 9) OPTIONAL RIBS MAY BE FOUND ON PARTS MANUFACTURED AFTER 08/11/1997. RIB LOCATION IS DETERMINED BY MOLD DESIGN FOR MANUFACTURING EASE AND THE LOCATION DOES NOT AFFECT PART FUNCTION OR PERFORMANCE. LOCATION OF RIBS MAY VARY ON PARTS WITHIN MAUFACTURING LOT OR SHIPMENT. THIS DRAWING SHOWS TYPICAL RIB LOCATIONS.
- 10) PARTS MANUFACTURED AFTER 8/15/1997 MAY HAVE REVISED LOCK PEG.
- 11) PART CONFORMS TO CLASS "B" REQUIREMENTS OF COSMETIC SPECIFICATION PS-45499-002.

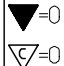
SEE SHEET ONE FC NO: UCP2007-2479 DRAWN:LSCHMIDT 2007/04/04 CHKD:JBELL 2007/04/11 APPR:FSM TH 2007/04/16 P1	QUALITY SYMBOLS ▽=0 ▽=0	GENERAL TOLERANCES (UNLESS SPECIFIED)		DIMENSION STYLE IN/MM		SCALE ---	DESIGN UNITS METRIC	THIRD ANGLE PROJECTION		
			mm	INCH	DRAWN BY GEP	DATE 1989/04/06	TITLE MINI-FIT B.M.I. VERTICAL HEADER ASSY WITH DRAIN HOLE OPTION			
		4 PLACES ±---	±---	±---	CHECKED BY RJF	DATE 1989/04/06	MOLEX INCORPORATED MATERIAL NO. SDA-42440-**** DOCUMENT NO. SHEET NO. 3 OF 6			
		3 PLACES ±---	±---	±---	APPROVED BY RAS	DATE 1989/04/06				
2 PLACES ±---	±---	±---	DRAFT WHERE APPLICABLE MUST REMAIN WITHIN DIMENSIONS		SEE CHART		THIS DRAWING CONTAINS INFORMATION THAT IS PROPRIETARY TO MOLEX INCORPORATED AND SHOULD NOT BE USED WITHOUT WRITTEN PERMISSION			
1 PLACE ±---	±---	±---	ANGULAR ±---°		SIZE C					

	13		12		11		10		9		8		7		6		5		4		3		2		1
J	PLATING: TIN (SEE NOTE 2 OPTION 'S')						PLATING: TIN (SEE NOTE 2 OPTION 'S')						PLATING: 30 M.I. SELECT GOLD (SEE NOTE 2 OPTION 'GS')						PLATING: 30 M.I. SELECT GOLD (SEE NOTE 2 OPTION 'GS')						
	DRAINS: WITHOUT DRAIN HOLES						DRAINS: WITHOUT DRAIN HOLES						DRAINS: WITHOUT DRAIN HOLES						DRAINS: WITHOUT DRAIN HOLES						
	PEGS: WITH PEGS						PEGS: WITH PEGS						PEGS: WITH PEGS						PEGS: WITH PEGS						
	MAT'L: 94V-2 [NATURAL]						MAT'L: 94V-0 [NATURAL]						MAT'L: 94V-2 [NATURAL]						MAT'L: 94V-0 [NATURAL]						
	PACKAGING: TRAY PER PK-42440-001						PACKAGING: TRAY PER PK-42440-001						PACKAGING: TRAY PER PK-42440-001						PACKAGING: TRAY PER PK-42440-001						
I	PART NO.	ENG NO.			CKTS	PART NO.	ENG NO.			CKTS	PART NO.	ENG NO.			CKTS	PART NO.	ENG NO.			CKTS					
	NO EDP	A-42440-0211	-	-	2	NO EDP	A-42440-0221	-	-	2	NO EDP	A-42440-0212	-	-	2	NO EDP	A-42440-0222	-	-	2					
	15-24-6041	A-42440-0411	-	-	4	15-24-6042	A-42440-0421	-	-	4	15-28-6041	A-42440-0412	-	-	4	15-28-6042	A-42440-0422	-	-	4					
	NO EDP	A-42440-0611	-	-	6	NO EDP	A-42440-0621	-	-	6	NO EDP	A-42440-0612	-	-	6	NO EDP	A-42440-0622	-	-	6					
	NO EDP	A-42440-0811	-	-	8	NO EDP	A-42440-0821	-	-	8	NO EDP	A-42440-0812	-	-	8	NO EDP	A-42440-0822	-	-	8					
	15-24-6101	A-42440-1011	-	-	10	15-24-6102	A-42440-1021	-	-	10	15-28-6101	A-42440-1012	-	-	10	15-28-6102	A-42440-1022	-	-	10					
	NO EDP	A-42440-1211	-	-	12	NO EDP	A-42440-1221	-	-	12	NO EDP	A-42440-1212	-	-	12	NO EDP	A-42440-1222	-	-	12					
	15-24-6141	A-42440-1411	-	-	14	15-24-6142	A-42440-1421	-	-	14	15-28-6141	A-42440-1412	-	-	14	15-28-6142	A-42440-1422	-	-	14					
	15-24-6161	A-42440-1611	-	-	16	15-24-6162	A-42440-1621	-	-	16	15-28-6161	A-42440-1612	-	-	16	NO EDP	A-42440-1622	-	-	16					
H	15-24-6181	A-42440-1811	-	-	18	15-24-6182	A-42440-1821	-	-	18	15-28-6181	A-42440-1812	-	-	18	15-28-6182	A-42440-1822	-	-	18					
	NO EDP	A-42440-2011	-	-	20	NO EDP	A-42440-2021	-	-	20	NO EDP	A-42440-2012	-	-	20	NO EDP	A-42440-2022	-	-	20					
	NO EDP	A-42440-2211	-	-	22	NO EDP	A-42440-2221	-	-	22	NO EDP	A-42440-2212	-	-	22	NO EDP	A-42440-2222	-	-	22					
	15-24-6241	A-42440-2411	-	-	24	15-24-6242	A-42440-2421	-	-	24	15-28-6241	A-42440-2412	-	-	24	15-28-6242	A-42440-2422	-	-	24					

G	PLATING: TIN (SEE NOTE 2 OPTION 'S')						PLATING: TIN (SEE NOTE 2 OPTION 'S')						PLATING: 30 M.I. SELECT GOLD (SEE NOTE 2 OPTION 'GS')						PLATING: 30 M.I. SELECT GOLD (SEE NOTE 2 OPTION 'GS')					
	DRAINS: WITH DRAIN HOLES						DRAINS: WITH DRAIN HOLES						DRAINS: WITH DRAIN HOLES						DRAINS: WITH DRAIN HOLES					
	PEGS: WITH PEGS						PEGS: WITH PEGS						PEGS: WITH PEGS						PEGS: WITH PEGS					
	MAT'L: 94V-2 [NATURAL]						MAT'L: 94V-0 [NATURAL]						MAT'L: 94V-2 [NATURAL]						MAT'L: 94V-0 [NATURAL]					
	PACKAGING: TRAY PER PK-42440-001						PACKAGING: TRAY PER PK-42440-001						PACKAGING: TRAY PER PK-42440-001						PACKAGING: TRAY PER PK-42440-001					
F	PART NO.	ENG NO.			CKTS	PART NO.	ENG NO.			CKTS	PART NO.	ENG NO.			CKTS	PART NO.	ENG NO.			CKTS				
	NO EDP	A-42440-0231	-	-	2	NO EDP	A-42440-0241	-	-	2	NO EDP	A-42440-0232	-	-	2	NO EDP	A-42440-0242	-	-	2				
	15-24-6046	A-42440-0431	-	-	4	15-24-6047	A-42440-0441	-	-	4	15-28-6046	A-42440-0432	-	-	4	15-28-6047	A-42440-0442	-	-	4				
	15-24-6066	A-42440-0631	-	-	6	NO EDP	A-42440-0641	-	-	6	15-28-6066	A-42440-0632	-	-	6	NO EDP	A-42440-0642	-	-	6				
	NO EDP	A-42440-0831	-	-	8	NO EDP	A-42440-0841	-	-	8	NO EDP	A-42440-0832	-	-	8	NO EDP	A-42440-0842	-	-	8				
	15-24-6106	A-42440-1031	-	-	10	15-24-6107	A-42440-1041	-	-	10	15-28-6106	A-42440-1032	-	-	10	15-28-6107	A-42440-1042	-	-	10				
	NO EDP	A-42440-1231	-	-	12	NO EDP	A-42440-1241	-	-	12	NO EDP	A-42440-1232	-	-	12	NO EDP	A-42440-1242	-	-	12				
E	15-24-6146	A-42440-1431	-	-	14	15-24-6147	A-42440-1441	-	-	14	15-28-6146	A-42440-1432	-	-	14	15-28-6147	A-42440-1442	-	-	14				
	NO EDP	A-42440-1631	-	-	16	NO EDP	A-42440-1641	-	-	16	NO EDP	A-42440-1632	-	-	16	NO EDP	A-42440-1642	-	-	16				
	15-24-6186	A-42440-1831	-	-	18	15-24-6187	A-42440-1841	-	-	18	15-28-6186	A-42440-1832	-	-	18	15-28-6187	A-42440-1842	-	-	18				
	NO EDP	A-42440-2031	-	-	20	NO EDP	A-42440-2041	-	-	20	NO EDP	A-42440-2032	-	-	20	NO EDP	A-42440-2042	-	-	20				
	NO EDP	A-42440-2231	-	-	22	NO EDP	A-42440-2241	-	-	22	NO EDP	A-42440-2232	-	-	22	NO EDP	A-42440-2242	-	-	22				
	15-24-6246	A-42440-2431	-	-	24	15-24-6247	A-42440-2441	-	-	24	15-28-6246	A-42440-2432	-	-	24	15-28-6247	A-42440-2442	-	-	24				

D																									
C																									
B																									
A																									

STANDARDIZE NOTES
 FCC NO: UCP2007-2152 2007/03/12
 CHKD:ADERR 2007/03/19
 APPR:FSM TH 2007/03/19

QUALITY SYMBOLS


GENERAL TOLERANCES (UNLESS SPECIFIED)		DIMENSION STYLE	
		IN/MM	
4 PLACES	± ---	mm	INCH
3 PLACES	± ---		
2 PLACES	± ---		
1 PLACE	± ---		
ANGULAR ± ---°			

DRAFT WHERE APPLICABLE
 MUST REMAIN WITHIN DIMENSIONS

DRAWN BY GEP	DATE 1995/03/03	TITLE MINI-FIT B.M.I. VERTICAL HEADER ASSY WITH DRAIN HOLE OPTION
CHECKED BY RJF	DATE 1995/03/03	
APPROVED BY RJF	DATE 1995/03/03	

MATERIAL NO. SDA-42440-****
 DOCUMENT NO. MOLEX INCORPORATED
 SHEET NO. 4 OF 6

THIS DRAWING CONTAINS INFORMATION THAT IS PROPRIETARY TO MOLEX INCORPORATED AND SHOULD NOT BE USED WITHOUT WRITTEN PERMISSION

	13	12	11	10	9	8	7	6	5	4	3	2	1
J	PLATING: 50 M.I. SELECT GOLD (SEE NOTE 2 OPTION 'GS3')			PLATING: 50 M.I. SELECT GOLD (SEE NOTE 2 OPTION 'GS3')			PLATING: 50 M.I. SELECT GOLD (SEE NOTE 2 OPTION 'GS3')			PLATING: 50 M.I. SELECT GOLD (SEE NOTE 2 OPTION 'GS3')			
	DRAINS: WITHOUT DRAIN HOLES			DRAINS: WITHOUT DRAIN HOLES			DRAINS: WITH DRAIN HOLES			DRAINS: WITH DRAIN HOLES			
	PEGS: WITH PEGS			PEGS: WITH PEGS			PEGS: WITH PEGS			PEGS: WITH PEGS			
	MAT'L: 94V-2 [NATURAL]			MAT'L: 94V-0 [NATURAL]			MAT'L: 94V-2 [NATURAL]			MAT'L: 94V-0 [NATURAL]			
	PACKAGING: TRAY PER PK-42440-001			PACKAGING: TRAY PER PK-42440-001			PACKAGING: TRAY PER PK-42440-001			PACKAGING: TRAY PER PK-42440-001			
I	PART NO.	ENG NO.	CKTS	PART NO.	ENG NO.	CKTS	PART NO.	ENG NO.	CKTS	PART NO.	ENG NO.	CKTS	
	NO EDP	A-42440-02 I3	2	NO EDP	A-42440-0223	2	NO EDP	A-42440-0233	2	NO EDP	A-42440-0243	2	
	NO EDP	A-42440-04 I3	4	NO EDP	A-42440-0423	4	NO EDP	A-42440-0433	4	NO EDP	A-42440-0443	4	
	NO EDP	A-42440-06 I3	6	NO EDP	A-42440-0623	6	NO EDP	A-42440-0633	6	NO EDP	A-42440-0643	6	
	NO EDP	A-42440-08 I3	8	NO EDP	A-42440-0823	8	NO EDP	A-42440-0833	8	NO EDP	A-42440-0843	8	
	NO EDP	A-42440-10 I3	10	NO EDP	A-42440-1023	10	NO EDP	A-42440-1033	10	NO EDP	A-42440-1043	10	
	NO EDP	A-42440-12 I3	12	NO EDP	A-42440-1223	12	NO EDP	A-42440-1233	12	NO EDP	A-42440-1243	12	
	NO EDP	A-42440-14 I3	14	NO EDP	A-42440-1423	14	NO EDP	A-42440-1433	14	NO EDP	A-42440-1443	14	
	NO EDP	A-42440-16 I3	16	NO EDP	A-42440-1623	16	NO EDP	A-42440-1633	16	NO EDP	A-42440-1643	16	
H	NO EDP	A-42440-18 I3	18	NO EDP	A-42440-1823	18	NO EDP	A-42440-1833	18	NO EDP	A-42440-1843	18	
	NO EDP	A-42440-20 I3	20	NO EDP	A-42440-2023	20	NO EDP	A-42440-2033	20	NO EDP	A-42440-2043	20	
	NO EDP	A-42440-22 I3	22	NO EDP	A-42440-2223	22	NO EDP	A-42440-2233	22	NO EDP	A-42440-2243	22	
	NO EDP	A-42440-24 I3	24	NO EDP	A-42440-2423	24	NO EDP	A-42440-2433	24	NO EDP	A-42440-2443	24	
	-	-	-	-	-	-	-	-	-	-	-	-	
	-	-	-	-	-	-	-	-	-	-	-	-	
G	PLATING:			PLATING:			PLATING:			PLATING:			
	DRAINS:			DRAINS:			DRAINS:			DRAINS:			
	PEGS:			PEGS:			PEGS:			PEGS:			
	MAT'L:			MAT'L:			MAT'L:			MAT'L:			
	PACKAGING:			PACKAGING:			PACKAGING:			PACKAGING:			
F	ITEM NO.	CKTS	ITEM NO.	CKTS	ITEM NO.	CKTS	ITEM NO.	CKTS	ITEM NO.	CKTS			
	-	2	-	2	-	2	-	2	-	2			
	-	4	-	4	-	4	-	4	-	4			
	-	6	-	6	-	6	-	6	-	6			
	-	8	-	8	-	8	-	8	-	8			
	-	10	-	10	-	10	-	10	-	10			
	-	12	-	12	-	12	-	12	-	12			
E	-	14	-	14	-	14	-	14	-	14			
	-	16	-	16	-	16	-	16	-	16			
	-	18	-	18	-	18	-	18	-	18			
	-	20	-	20	-	20	-	20	-	20			
	-	22	-	22	-	22	-	22	-	22			
	-	24	-	24	-	24	-	24	-	24			
D													

STANDARDIZE NOTES FCC NO: UCP2007-2152 DRW: NLSCHM1 DT 2007/03/12 CHKD: ADERR 2007/03/19 APPR: FSM TH 2007/03/19 REVISIONS DESCRIPTION	QUALITY SYMBOLS = 0.05 = 0.1	GENERAL TOLERANCES (UNLESS SPECIFIED) <table border="1"> <tr> <th></th> <th>mm</th> <th>INCH</th> </tr> <tr> <td>4 PLACES</td> <td>± ---</td> <td>± ---</td> </tr> <tr> <td>3 PLACES</td> <td>± ---</td> <td>± ---</td> </tr> <tr> <td>2 PLACES</td> <td>± ---</td> <td>± ---</td> </tr> <tr> <td>1 PLACE</td> <td>± ---</td> <td>± ---</td> </tr> </table>		mm	INCH	4 PLACES	± ---	± ---	3 PLACES	± ---	± ---	2 PLACES	± ---	± ---	1 PLACE	± ---	± ---	DIMENSION STYLE IN/MM DRAWN BY: ERH DATE: 2000/02/23 CHECKED BY: MB DATE: 2000/02/23 APPROVED BY: RE DATE: 2000/02/23	SCALE: --- DESIGN UNITS: METRIC THIRD ANGLE PROJECTION
		mm	INCH																
	4 PLACES	± ---	± ---																
	3 PLACES	± ---	± ---																
2 PLACES	± ---	± ---																	
1 PLACE	± ---	± ---																	
DRAFT WHERE APPLICABLE MUST REMAIN WITHIN DIMENSIONS		SEE CHART	MATERIAL NO. SDA-42440-**** DOCUMENT NO. SDA-42440-****	TITLE: MINI-FIT B.M.I. VERTICAL HEADER ASSY WITH DRAIN HOLE OPTION MOLEX INCORPORATED															
		SIZE: C	THIS DRAWING CONTAINS INFORMATION THAT IS PROPRIETARY TO MOLEX INCORPORATED AND SHOULD NOT BE USED WITHOUT WRITTEN PERMISSION	SHEET NO. 5 OF 6															

	13	12	11	10	9	8	7	6	5	4	3	2	1
J	PLATING: TIN (SEE NOTE 2 OPTION 'S')			PLATING: TIN (SEE NOTE 2 OPTION 'S')			PLATING: 30 M.I. SELECT GOLD (SEE NOTE 2 OPTION 'GS')			PLATING: 30 M.I. SELECT GOLD (SEE NOTE 2 OPTION 'GS')			
	DRAINS: WITH DRAIN HOLES			DRAINS: WITH DRAIN HOLES			DRAINS: WITH DRAIN HOLES			DRAINS: WITH DRAIN HOLES			
	PEGS: WITH PEGS			PEGS: WITH PEGS			PEGS: WITH PEGS			PEGS: WITH PEGS			
	MAT'L: 94V-2 [NATURAL]			MAT'L: 94V-0 [NATURAL]			MAT'L: 94V-2 [NATURAL]			MAT'L: 94V-0 [NATURAL]			
	PACKAGING: TUBE PER PK-40873-0151			PACKAGING: TUBE PER PK-40873-0151			PACKAGING: TUBE PER PK-40873-0151			PACKAGING: TUBE PER PK-40873-0151			
I	ITEM NO.		CKTS	ITEM NO.		CKTS	ITEM NO.		CKTS	ITEM NO.		CKTS	
	-	-	2	-	-	2	-	-	2	-	-	2	
	42440-3049	-	4	42440-3061	-	4	42440-3073	-	4	42440-3085	-	4	
	42440-3050	-	6	-	-	6	42440-3074	-	6	-	-	6	
	-	-	8	-	-	8	-	-	8	-	-	8	
	42440-3052	-	10	42440-3064	-	10	42440-3076	-	10	42440-3088	-	10	
	-	-	12	-	-	12	-	-	12	-	-	12	
	42440-3054	-	14	42440-3066	-	14	42440-3078	-	14	42440-3090	-	14	
	-	-	16	-	-	16	-	-	16	-	-	16	
H	42440-3056	-	18	42440-3068	-	18	42440-3080	-	18	42440-3092	-	18	
	-	-	20	-	-	20	-	-	20	-	-	20	
	-	-	22	-	-	22	-	-	22	-	-	22	
	42440-3059	-	24	42440-3071	-	24	42440-3083	-	24	42440-3095	-	24	
G	PLATING: 50 M.I. SELECT GOLD (SEE NOTE 2 OPTION 'GS3')			PLATING: 50 M.I. SELECT GOLD (SEE NOTE 2 OPTION 'GS3')			PLATING: 50 M.I. SELECT GOLD (SEE NOTE 2 OPTION 'GS3')			PLATING: 50 M.I. SELECT GOLD (SEE NOTE 2 OPTION 'GS3')			
	DRAINS: WITHOUT DRAIN HOLES			DRAINS: WITHOUT DRAIN HOLES			DRAINS: WITH DRAIN HOLES			DRAINS: WITH DRAIN HOLES			
	PEGS: WITH PEGS			PEGS: WITH PEGS			PEGS: WITH PEGS			PEGS: WITH PEGS			
	MAT'L: 94V-2 [NATURAL]			MAT'L: 94V-0 [NATURAL]			MAT'L: 94V-2 [NATURAL]			MAT'L: 94V-0 [NATURAL]			
	PACKAGING: TUBE PER PK-40873-0151			PACKAGING: TUBE PER PK-40873-0151			PACKAGING: TUBE PER PK-40873-0151			PACKAGING: TUBE PER PK-40873-0151			
F	ITEM NO.		CKTS	ITEM NO.		CKTS	ITEM NO.		CKTS	ITEM NO.		CKTS	
	-	-	2	-	-	2	-	-	2	-	-	2	
	-	-	4	-	-	4	-	-	4	-	-	4	
	-	-	6	-	-	6	-	-	6	-	-	6	
	-	-	8	-	-	8	-	-	8	-	-	8	
	-	-	10	-	-	10	-	-	10	-	-	10	
	-	-	12	-	-	12	-	-	12	-	-	12	
E	-	-	14	-	-	14	-	-	14	-	-	14	
	-	-	16	-	-	16	-	-	16	-	-	16	
	-	-	18	-	-	18	-	-	18	-	-	18	
	-	-	20	-	-	20	-	-	20	-	-	20	
	-	-	22	-	-	22	-	-	22	-	-	22	
	-	-	24	-	-	24	-	-	24	-	-	24	

STANDARDIZE NOTES FCC NO: UCP2007-2152 DRW: LLSCHMIDT 2007/03/12 CHKD: ADERR 2007/03/19 APPR: FSM TH 2007/03/19 REV DESCRIPTION	QUALITY SYMBOLS = 0 = 0	GENERAL TOLERANCES (UNLESS SPECIFIED) <table border="1"> <tr> <th></th> <th>mm</th> <th>INCH</th> </tr> <tr> <td>4 PLACES</td> <td>± .005</td> <td>± .0004</td> </tr> <tr> <td>3 PLACES</td> <td>± .003</td> <td>± .0002</td> </tr> <tr> <td>2 PLACES</td> <td>± .002</td> <td>± .0001</td> </tr> <tr> <td>1 PLACE</td> <td>± .001</td> <td>± .00005</td> </tr> </table>		mm	INCH	4 PLACES	± .005	± .0004	3 PLACES	± .003	± .0002	2 PLACES	± .002	± .0001	1 PLACE	± .001	± .00005	DIMENSION STYLE IN/MM DRAWN BY DATE ERH 2000/02/23 CHECKED BY DATE MB 2000/02/23 APPROVED BY DATE RE 2000/02/23	SCALE --- DESIGN UNITS METRIC THIRD ANGLE PROJECTION
		mm	INCH																
	4 PLACES	± .005	± .0004																
	3 PLACES	± .003	± .0002																
2 PLACES	± .002	± .0001																	
1 PLACE	± .001	± .00005																	
MINI-FIT B.M.I. VERTICAL HEADER ASSY WITH DRAIN HOLE OPTION		MATERIAL NO. SDA-42440-**** DOCUMENT NO. 6 OF 6																	
DRAFT WHERE APPLICABLE MUST REMAIN WITHIN DIMENSIONS		SEE CHART																	
THIS DRAWING CONTAINS INFORMATION THAT IS PROPRIETARY TO MOLEX INCORPORATED AND SHOULD NOT BE USED WITHOUT WRITTEN PERMISSION																			